

WOOD FIREPLACE INSERTS





THE CABELLO

The Cabello is the newest edition to our line-up of wood burning fireplace inserts. Like the Boston, The exterior of the Cabello is made from traditional cast iron, detailed with reliefs and curves designed by our craftsmen. Unique to the Cabello, it's flush face design allows it to protrude a mere two inches from your existing masonry.

Design Features

- Flush Face Design
- Cast Iron Exterior
- Chrome Plated Latch with Wooden Handle
- 1200 or 1700 Firebox
- Limited Lifetime Warranty
- Glass Size: 177 in²
- Optional Hearth Shelf
- Optional Oversize Surround

Fireplace Details

Model Designation	1200	1700
BTU Maximum Input	67,000 BTU	74,000 BTU
Heating Area	2,200 ff ²	3,000 ff ²
Efficiency	82.6%	84.7%
Burn Times	6-10 Hours	8-12 Hours
Maximum Log Size	18 in.	20 in.
Min. 1200 Install Dims	32"w 18½"d 19¼"h	
Min. 1700 Install Dims	32"w 22¾"d 19¼"h	



Flush Cast Iron Design



150 CFM Adjustable Fan Control with Optional Hearth Shelf



Chrome Plated Latch with Wooden Handle



THE BOSTON

Making its debut in the beginning of 2011 the successful Boston series combines a beautiful cast iron exterior with the raw power of an Enviro wood burning firebox. The tested design and build quality of the Boston Fireplace Insert strikes a perfect balance of functionality and aesthetic feel.

Design Features

- Cast Iron Exterior
- Chrome Plated Latch with Wooden Handle
- 1200 or 1700 Firebox
- Limited Lifetime Warranty
- Glass Size: 177 in²
- Optional Oversize Surround
- Choice of Finish
 - Painted Black
 - Antique Chestnut Enamel

Fireplace Details

Model Designation	1200	1700
BTU Maximum Input	67,000 BTU	74,000 BTU
Heating Area	2,200 ff ²	3,000 ff ²
Efficiency	82.6%	84.7%
Burn Times	6-10 Hours	8-12 Hours
Maximum Log Size	18 in.	20 in.
Min. 1200 Install Dims	27" w 14" d 19 1/4" h	
Min. 1700 Install Dims	27" w 18 1/2" d 19 1/4" h	



Chrome Plated Latch with Wooden Handle



150 CFM Adjustable Fan Control



Intricate Cast Iron Detailing



Boston Wood Insert with Antique Chestnut Enamel Finish



Boston Wood Insert Finish Comparison

Exclusive Performance Features of all Enviro Wood Inserts

- large firebox capacity for long overnight burns
- single, easy-to-use air control adjusts the heat output and regulates the fire
- twin pilot injection ports tuned to deliver fast start-up. These injection ports are 3" above the firebox floor so you can build a good deep ember bed and not affect low burn or start up.
- ultra strong air wash helps to keep the glass clean
- high efficiency 150 cfm variable speed fan with override switch for convection heat
- radiant heat is maximized through the large glass area (177 sq. in.)



150 CFM Adjustable Fan Control



Top Corner of the Surround



Chrome Plated Latch with Wooden Handle



Venice with Optional Hearth Shelf and Wooden Handle

THE VENICE

The modern design of the Venice fireplace insert lends itself to a wide variety of different room decors. The Venice has an optional hearth shelf that facilitates installation and adds a different aesthetic to the overall look.

Design Features

- Modern Exterior
- 1200 or 1700 Firebox
- Limited Lifetime Warranty
- Glass Size: 177 in²
- Wooden Handle
- Optional Hearth Shelf (pictured)
- Optional Oversize Surround
- Formed Steel Surround

Fireplace Details

Model Designation	1200	1700
BTU Maximum Input	67,000 BTU	74,000 BTU
Heating Area	2,200 ff ²	3,000 ff ²
Efficiency	82.6%	84.7%
Burn Times	6-10 Hours	8-12 Hours
Maximum Log Size	18 in.	20 in.
Min. 1200 Install Dims	27"w 14"d 19¼"h	
Min. 1700 Install Dims	27"w 18½"d 19¼"h	



Formed Steel Surround



Wooden Handle



150 CFM Adjustable Fan Control with Optional Hearth Shelf



THE KODIAK

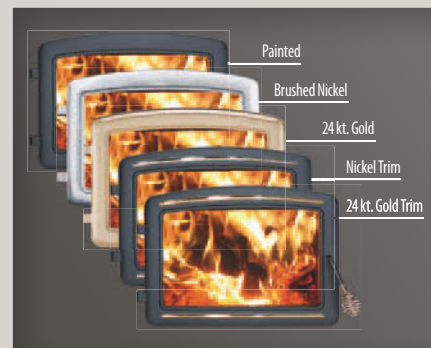
The Kodiak was our first wood insert fireplace and since that time, has consistently been a popular choice among wood insert customers. powerful yet simple, the Kodiak lends itself perfectly to cottages and dens alike. Optionally it has five different door configurations, painted, nickel, gold, and painted with nickel or gold trim.

Design Features

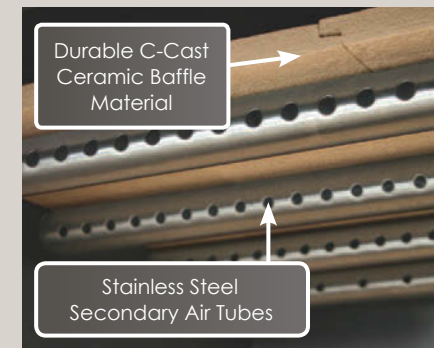
- Our Original Wood Insert
- 1200 or 1700 Firebox
- Limited Lifetime Warranty
- Glass Size: 177 in²
- Optional Oversize Surround
- Choice of Door Finish
 - Painted Black
 - Nickel
 - Nickel Trim over Painted Black
 - Gold
 - Gold Trim over Painted Black

Fireplace Details

Model Designation	1200	1700
BTU Maximum Input	67,000 BTU	74,000 BTU
Heating Area	2,200 ff ²	3,000 ff ²
Efficiency	82.6%	84.7%
Burn Times	6-10 Hours	8-12 Hours
Maximum Log Size	18 in.	20 in.
Min. 1200 Install Dims	27" w 14" d 19 1/4" h	
Min. 1700 Install Dims	27" w 18 1/2" d 19 1/4" h	



Variety of Door Options



Baffles and Secondary Air Tubes

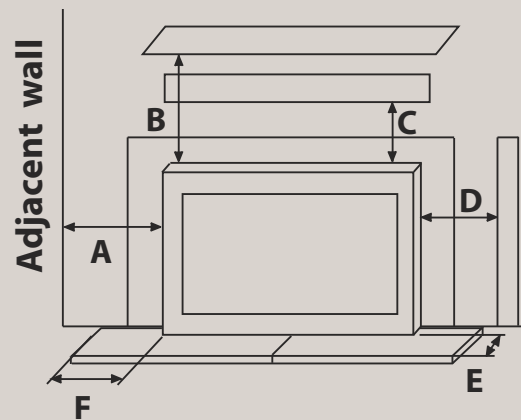


150 CFM Adjustable Fan Control



Performance	The Cabello		The Boston		The Venice		The Kodiak	
	1200	1700	1200	1700	1200	1700	1200	1700
BTU's*	67,000 BTU's	74,000 BTU's	67,000 BTU's	74,000 BTU's	67,000 BTU's	74,000 BTU's	67,000 BTU's	74,000 BTU's
Heating Area *	2200 ft ²	3000 ft ²	2200 ft ²	3000 ft ²	2200 ft ²	3000 ft ²	2200 ft ²	3000 ft ²
Burn Times *	6-10 hrs	8-12 hrs	6-10 hrs	8-12 hrs	6-10 hrs	8-12 hrs	6-10 hrs	8-12 hrs
Maximum Log Size	18"	20"	18"	20"	18"	20"	18"	20"
Efficiency*	82.6%	84.7%	82.6%	84.7%	82.6%	84.7%	82.6%	84.7%
EPA Tested Emissions	3.3 g per hr.	4.5 g per hr.	3.3 g per hr.	4.5 g per hr.	3.3 g per hr.	4.5 g per hr.	3.3 g per hr.	4.5 g per hr.
Weight	400 lbs.	455 lbs.	425 lbs.	480 lbs.	335 lbs.	390 lbs.	335 lbs.	390 lbs.
Firebox Capacity	1.85 ft ³	2.50 ft ³	1.85 ft ³	2.50 ft ³	1.85 ft ³	2.50 ft ³	1.85 ft ³	2.50 ft ³
6" Flue Diameter	✓	✓	✓	✓	✓	✓	✓	✓
Mobile Home Approved	✓	✓	✓	✓	✓	✓	✓	✓
150 CFM Fan	✓	✓	✓	✓	✓	✓	✓	✓

Minimum Clearance to Combustibles	1200	1700
A - side of unit to side wall	14"	14"
B - top of unit to bottom of 8" mantle	21"	24"
C - top of unit to max. 3/4" combustible facing	17 1/2"	19 1/2"
D - side of unit to side facing (3/4 protrusion)	1"	1"
E - front of door to edge of floor protection	16" (18" CDN)	16" (18" CDN)
F - side of unit to side facing	6" (8" CDN)	6" (8" CDN)



(specs and clearances are approx. only - see technical manual for exact figures)
 * Figures will vary considerably with floor plan, house layout and heat loss of house. Due to on-going product development, product appearances and specifications are subject to change without notice. Efficiency and area heated will vary according to location and fuel ** See dealer for details. Certain models may not be available in your area or may require longer lead times for delivery. Approved for sale in Canada and the United States.

Installation Dimensions

Installation Dimensions	The Cabello		The Boston		The Venice & The Kodiak	
	Masonry	Zero Clearance	Masonry	Zero Clearance	Masonry	Zero Clearance
Firebox Variation	1200	1700	1200	1700	1200	1700
Minimum depth	18"	22 1/2"	18 1/2"	23"	14 1/2"	19"
Minimum width at back of fireplace	22 3/8"	22 3/8"	23"	23"	22 3/8"	22 3/8"
Minimum width at front of fireplace	32"	32"	32 1/4"	32 1/4"	27"	27"
Minimum width at front of fireplace to include shroud when surround is in the forward position	N/A	N/A	32 1/4"	32 1/4"	33 3/4"	33 3/4"
Minimum height	19 1/4"	19 1/4"	20"	20"	19 1/4"	19 1/4"

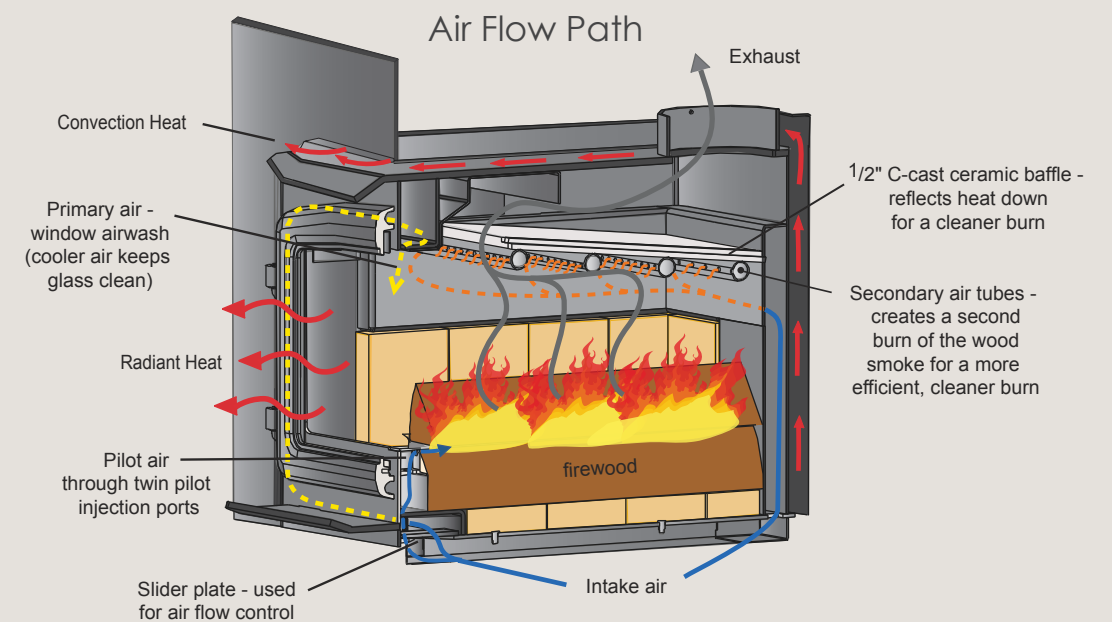
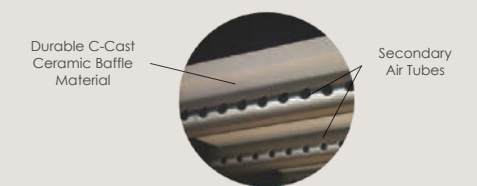
"Progressive Burn Technology"

Long Burn Times -

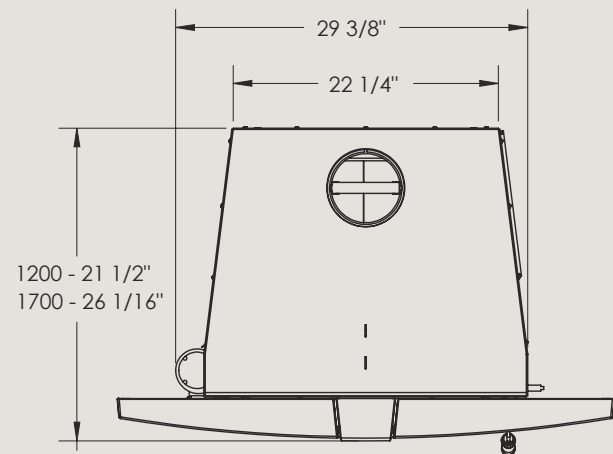
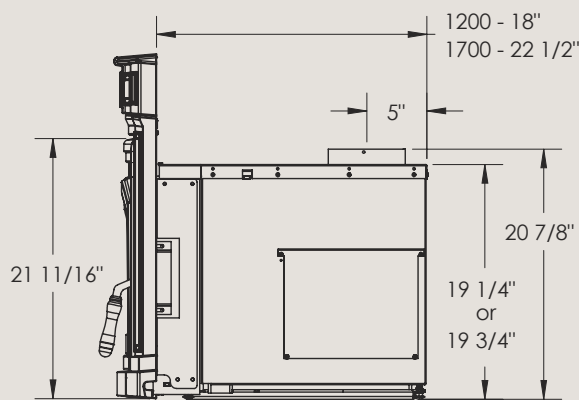
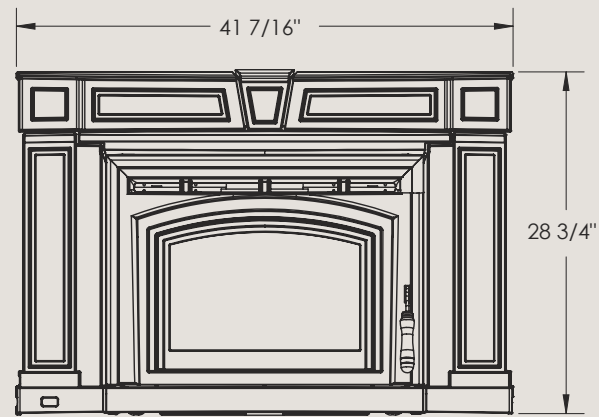
Progressive Burn Technology is designed to keep hot embers in the firebox after a nights burning. This process is achieved by restricting the air in the back of the firebox, leaving hot embers for you to start up your insert again.

Clean Burning -

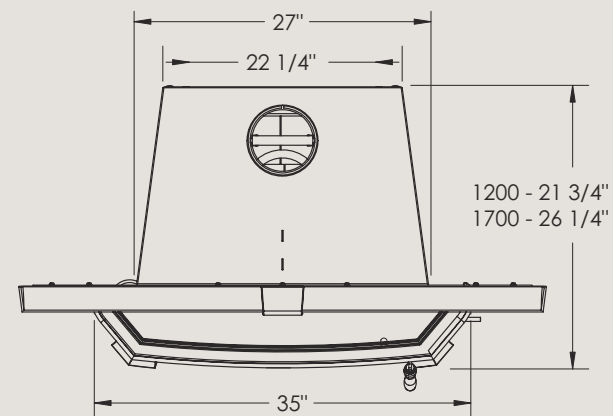
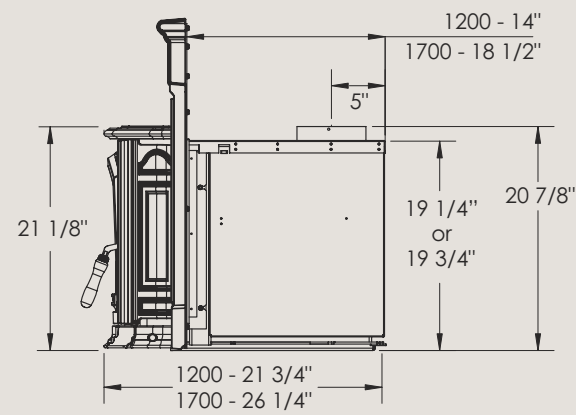
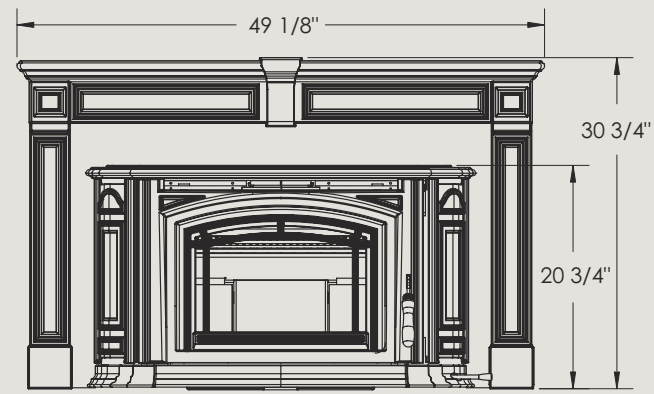
Our secondary air tubes add super-heated air to the fire as the burn progresses to the front. This maintains efficiencies and keeps emissions low.



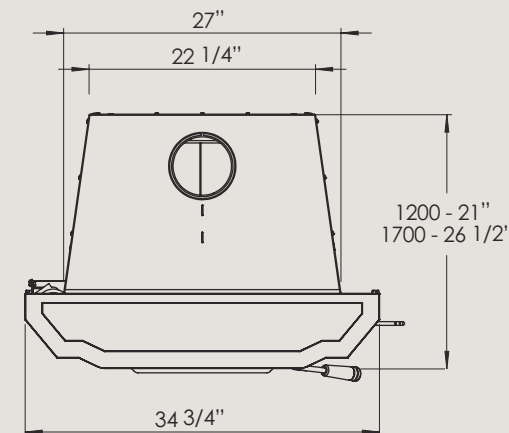
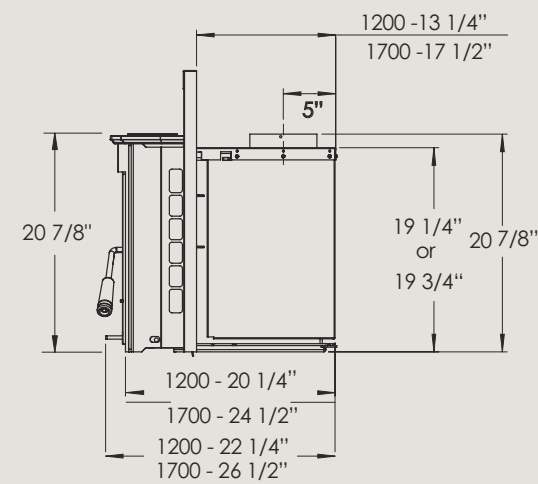
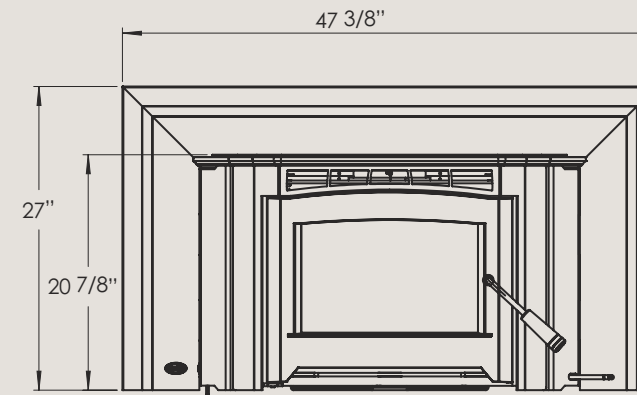
The Cabello
FLUSH-FACE INSERT



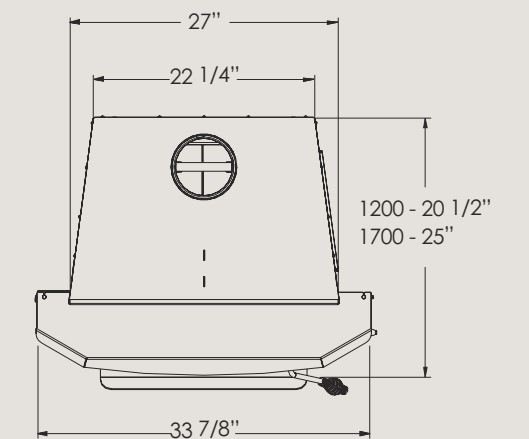
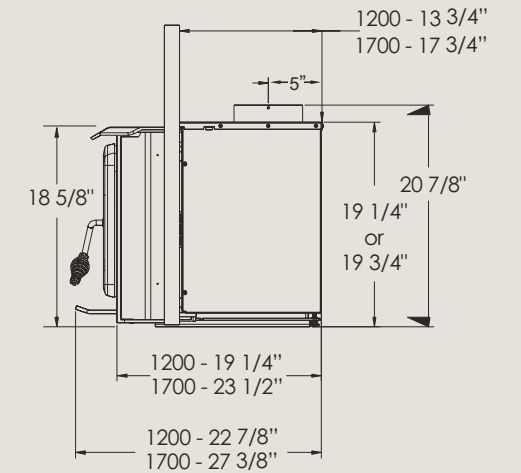
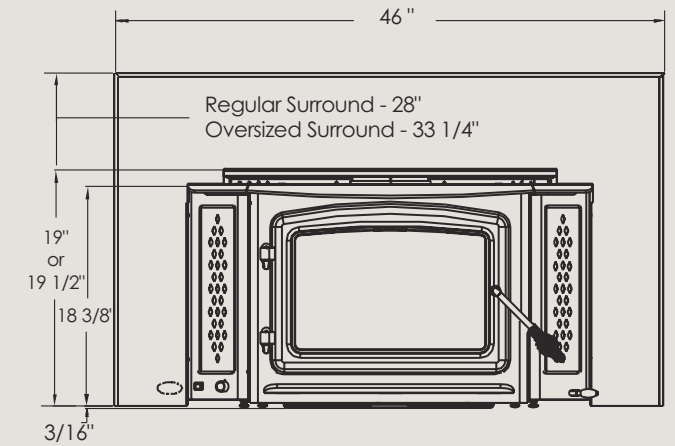
The Boston
TRADITIONAL



The Venice
MODERN



The Kodiak
CLASSIC



The Cabello & The Boston



Traditional Cast Iron

Our craftsmen have created a beautiful design, with detailed relief and curves that you can only get with cast iron.



Chrome Plated Latch and Wooden Handle

The dual action door latch is laser cut and chrome plated. The wood handle is turned to fit the contours of your hand.



Variety of Finishes (Boston Only)

Available in painted black and antique chestnut enamel finishes.

The Venice



Contemporary Cast Iron

The top and door are made of cast iron to give a modern clean appearance.



Formed Steel Surround Panel

The formed steel surround panel adds depth and a modern style to the Venice.



Optional Trimmable Surround Panel

The 46" x 36" trimmable surround allows for more versatile installations in larger openings.



Optional Base Shelf

Formed steel base shelf (1 2/3" high) gives a new dimension to the Enviro 1200V and the 1700V.

The Kodiak



Heavy Construction

Heavy gauge steel construction.



Optional Doors

Painted, Brushed Nickel and 24 kt. Gold Door Options.



Optional Doors with Trim

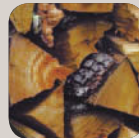
24 kt. Gold trim and Nickel trim Doors.

Enviro Wood Inserts



Adjustable Fan Control

Enviro offers a quiet yet powerful 150 cfm fan with variable speed control to get the most heat out of your Insert.



Up to 20" Log Sizes

The 1200 FPI will take logs up to 18", and the 1700 FPI will take logs up to 20".



Secondary Air Tubes

Highest efficiencies mean low cost to heat. Enviro Inserts are up to 84.7% efficient (depending on the model). This translates into lower running costs and cleaner burning.



Twin Pilot Injectors

Twin pilot injection ports tuned to deliver fast start-up and longer overnight burn times.



Progressive Burn Technology

Up to 12 hours burn times - designed to keep hot embers in the firebox after a nights burning.



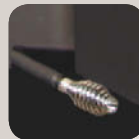
Limited Lifetime Warranty

Because we use the highest quality materials available, we are able to offer an extensive limited lifetime warranty program. (See dealer for details).



Largest Viewing Area

Enviro Inserts have the largest glass size and largest firebox sizes in their class - 177 sq. inches!



Single Air Control

Single, easy-to-use air control adjusts the heat output and regulates the fire.



Authorized Dealer



Manufactured by Sherwood Industries Ltd • Victoria, British Columbia, Canada
enviro.com • info@enviro.com • Printed in Canada, April 2013

Please share and recycle this brochure